

# PLASTLOCK



The TEEKAY PLASTLOCK Coupling is the easiest way to join plastic pipes together; designed and engineered to make a permanent connection.

Incorporating the TEEKAY multiple seal gasket, the design concept has been followed through to the pipe anchoring mechanism itself, which is also constructed with three progressive anchor rings. These rings permanently hold and lock the two pipes together.

The progressive anchoring design features a single element at each end of the coupling, incorporating three individual pipe anchor rings at staggered heights. This allows for a dynamic locking of the pipe and ensures all three rings are in contact with the pipe wall. Each anchor ring incorporates a chamber which allows the pipe wall to be increased locally around the area where each anchor ring engages with the pipe.

This increases the effectiveness of the anchor rings and allows for a permanent and restraint solution on plastic pipes.



## Material Selection

### Type I

Casing: AISI 304/ DIN 1.4301

Fasteners: Alloy Steel, PTFE coated

Gasket: EPDM/ NBR/ HNBR/ Silicone

### Type II

Casing: AISI 304/ DIN 1.4301

Fasteners: AISI 316/ 316L

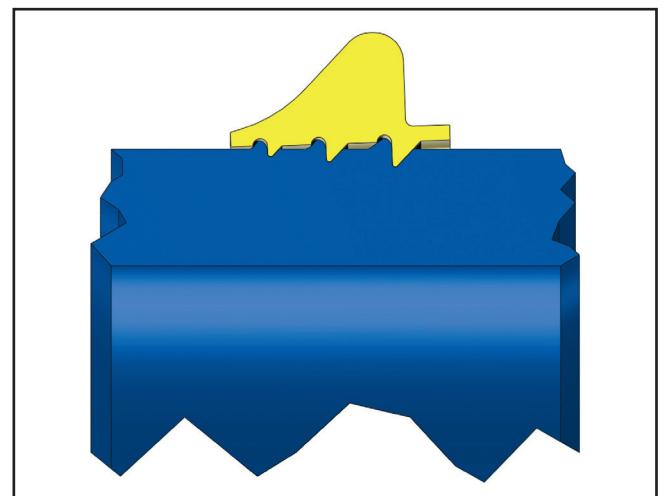
Gasket: EPDM/ NBR/ HNBR/ Silicone

### Type IV

Casing: AISI 316L/ DIN 1.4404

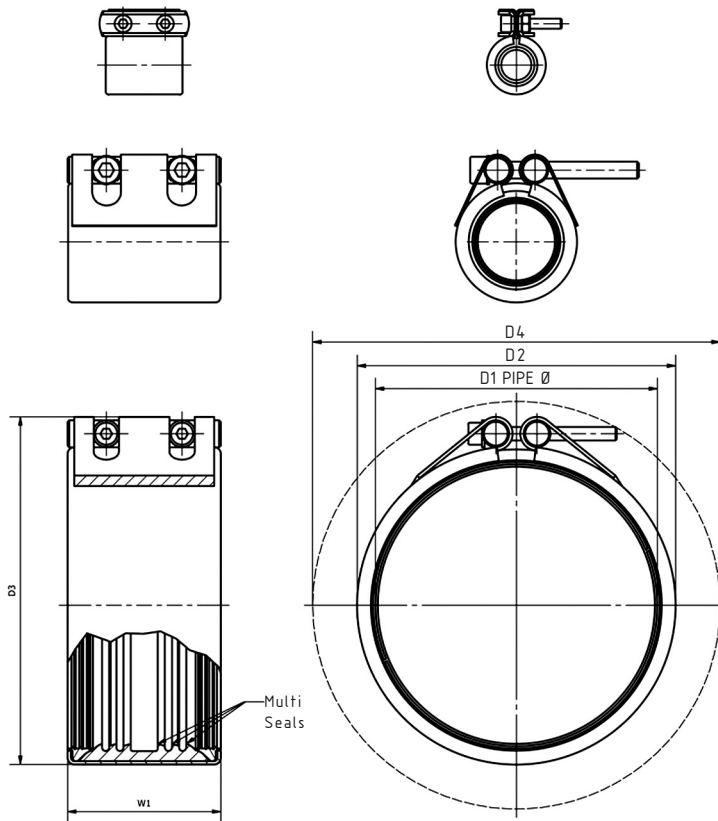
Fasteners: AISI 316/ 316L

Gasket: EPDM/ NBR/ HNBR/ Silicone



*Anchor ring mechanism*

**Suitable pipe materials:** Polyethylene, Polybutylene, PVC-C, PVC-U, ABS, Polypropylene



DIMENSIONS TABLE

D1 PIPE OD	O.D TOLERANCE	PN	w1	D2	D3	D4	SCREW SIZE	WEIGHT (KG)
20	19.7/20.3	16	45	32	49	76	2 x M6	0.15
25	24.7/25.4	16	45	37	54	81	2 x M6	0.16
32	31.7/32.4	16	45	44	61	88	2 x M6	0.17
40	39.0/40.0	16	85	57	69	132	2 x M8	0.42
50	49.0/51.0	16	85	67	83	134	2 x M8	0.71
63	62.0/64.0	16	88	80	96	145	2 x M8	0.90
75	74.0/76.0	16	88	93	108	184	2 x M10	0.95
90	88.0/91.0	16	88	107	123	193	2 x M10	1.05
110	109.0/112.0	16	88	128	148	208	2 x M10	1.41
125	124.0/127.0	16	89	144	161	219	2 x M10	1.75
140	139.0/142.0	16	115	159	184	241	2 x M12	2.65
160	159.0/162.0	16	116	180	206	258	2 x M12	3.15
200	199.0/202.0	10	119	226	252	321	2 x M16	6.70
225	224.0/227.0	10	120	251	278	342	2 x M16	6.90
250	249.0/252.0	10	120	276	302	364	2 x M16	7.30
315	314.0/317.0	10	120	341	368	418	2 x M16	9.20

**NOTES:**

The above tables are guides to the most common sizes. Couplings to suit specific outside diameters not listed may be manufactured to order. Please contact us for further details.

Working pressure for industrial and land-based applications. Minimum burst is 1.5 times working pressure.

Applicable Standards:

WIS-4-24-01

BS 8561: 2013